



## RF-1279R Low-Side/Rack Flake Ice Machine

### Model

RF-1279R



RF-1279R Low-Side/Rack Flake Ice Machine on B-570 Bin

### Standard Features

A Low-side/Rack Flake Ice Machine System consists of ice machine head section, ice storage unit, and interconnecting refrigerant lines—all ordered separately which connect into the store supplied centralized condensing system often called a rack. The rack system is shared by a variety of low side refrigeration equipment within the store like refrigerated food and beverage display cases and glass door freezer displays.

- Up to 1092 lbs. (495 kgs) daily ice production.
- Only 25.2" (64 cm) wide.
- Evaporator is designed for maximum quality and operating life.
- Flake Ice is perfect for food display, salad bars and cold therapy/healthcare.
- Ice forms around object without bruising and holds objects in place without tipping/spilling.
- Noise is removed from the ice making area promoting a relaxing atmosphere.
- Ice machine is lighter in weight to simplify installation.
- Stainless steel exterior has a clean and modern look to enhance the display in any self-serve environment.

### Ice Shape

Flake ice is small hard bits of ice ideally suited for presentation applications.

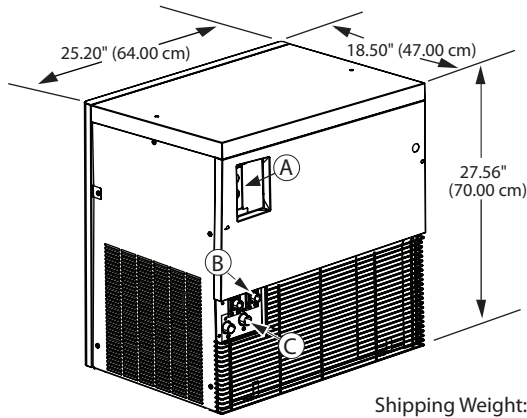


UL STD 563  
CAN/CSA-C22.2 No. 120



SANITATION  
NSF/ANSI STD




**RF-1279R Ice Machine**


Shipping Weight:  
186 lbs. / 84.5 kgs

- (A) Electrical Entrance (2) Options
- (B) 3/8" F.P.T. Ice Making Water Inlet
- (C) 1/2" M.P.T. Ice Making Water Drain

Bin	Adapter
B-570	K-00404*
B-970	K-00405
F-700	K-302500
F-1300	K-482500
F-1325	K-602500
FC-1350	K-612500

\* K-00404 included standard with purchase of RF-1279R flake ice machine

**Ice Machine Electric**

208-230/60/1, 50 Hz version also available

Minimum circuit ampacity: 1.4

Max. fuse size: 15 amps

HACR-type circuit breakers can be used in place of fuses.

**Specifications**

Refrigerant: R404A and R507

Refrigerating Capacity: 7100 BTUH

**Operating Limits:**

- Ambient Temperature Range:  
50°-110°F (10°-43°C)
- Water Temperature Range:  
37°-90°F (3°-32°C)
- Water Pressure Ice Maker  
Water In:  
Min. 14 psi (96.5 kPa)  
Max. 80 psi (551.1 kPa)

**Installation Information and Dimensions:**

Maximum Line Length—

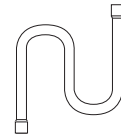
100' (30.5 m)\*

Maximum Vertical Rise\*—

35' (10.7 m) above ice machine.

Maximum Vertical Drop—

15' (4.5 m) below ice machine.



\*A rise over 20' (6 m) requires S-Trap Kit K-00172 - ordered separately

**Low-Side Rack Ice Machine**

Model	Ice Shape	Ice Production 24 Hours*		Power Usage kWh/100 lbs. @ 90°F Air/70°F 32° Air/21°C Water	Potable Water Usage/ 100 lbs. 45.4 kgs of Ice
		70° Air/ 50°F Water 21° Air/ 10°C Water	90° Air/ 70°F Water 32° Air/ 21°C Water		
RF-1279R	Flake	1092 lbs.	958 lbs.	1.50	12 Gal. 45 L
		495 kgs	435 kgs		

\* ice production based on 404A refrigerant  
Order ice storage bin separately. Will not accept AuCS accessory.

**Standard Interconnecting Tubing**

Model	Line Length		Weight	
	ft.	m	lbs.	kgs
RC-21	20	6	12	5
RC-31	30	9	20	9
RC-51	50	15	28	13