



# Vertical Discharge Remote Condenser

## For S-Series Ice Cube Machines

### Model

- JC-0495     JC-0895     JC-1395



### Standard Features

- Vertical discharge remote condenser is available for S-Series 500, 600, 850, 1000, 1400 and 1800 ice machines. Refer to ice machine specification sheet for equipment dimensions, production capacities, electrical requirements, and ice storage bin compatibility.
- Condenser operation range from -20°F (-29°C) to 120°F (49°C). Can be installed with up to 20" (50.8 cm) of bottom clearance.
- Remote system consists of a remote condenser and interconnecting refrigerant lines. All components are pre-charged with environmentally responsible refrigerant and have quick-connect fittings for convenient installation. Order ice cube machine, ice storage bin and line set separately.

### Warranty

- 3-year parts and labor. See warranty statement for complete details.

**Remote, air-cooled condenser system improves efficiency and ice production, conserving energy.**

**Manitowoc remote condenser systems effectively dissipate heat at a convenient location, indoors or outdoors, away from the ice machine. This maximizes ice-making capability and minimizes air conditioning loads by lowering the ambient air temperature at the ice machine.**

Single S-Series Ice Machine	Remote Condenser
S-500	JC-0495
S-600, 850 or 1000	JC-0895
S-1400 or 1800	JC-1395

### Installation Information and Dimensions

Maximum Location Distance—combined vertical and horizontal distances from ice machine to condenser must comply with guidelines.

Maximum Line Length: 100' (30 m)\*

Maximum Vertical Rise: 35' (10.5 m) above ice machine.

Maximum Vertical Drop: 15' (4.5 m) below ice machine.

To calculate other acceptable horizontal and vertical combinations, refer to remote condenser installation instructions.

*\* Remote condenser has refrigerant charge for up to 50' (15 m) line length. Over 50' (15 m) requires additional refrigerant charge at time of installation.*





**Vertical Discharge Remote Condenser**  
 For S-Series Ice Cube Machines

### Electric

Electrical power to the remote condenser is intended to be supplied from the ice machine; however, if necessary, a separate electrical power source can be used.

### Remote S-Series Ice Machine

S-Model	Electrical Service*	Minimum Circuit Ampacity		Maximum Fuse size	
500	115/60/1	20		25	
600	208-230/60/1	8.9		15	
850	208-230/60/1	11.9	9.2	20	15
1000	208-230/60/1	15.7	10.6	25	15
1400	208-230/60/1	17.9	12.8	30	20
1800	208-230/60/1	23.1	13.0	40	20

\* 230/50/1 available. Shaded box indicates 3 phase. Consult factory.  
 HACR circuit breakers can be used in place of fuses.

### S-Series Remote Condenser

Condenser S-Model	Matching Ice Machine	Condenser			
		Electrical Service*	Amperage	Weight	
				lbs.	kgs.
JC-0495	500	115/60/1	2.3	76	34
JC-0895	600, 850, 1000	208-230/60/1	1.3	76	34
JC-1395	1400, 1800	208-230/60/1	1.3	96	44

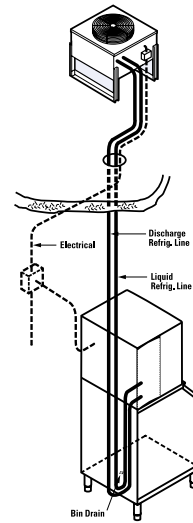
\* 230/50/1 available. Consult factory. HACR circuit breakers can be used in place of fuses.

### Standard Interconnecting Refrigerant Lines

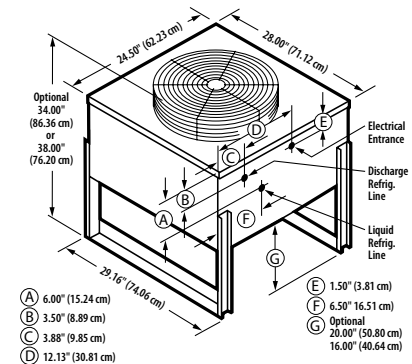
Model		Line Length		Weight	
		ft.	cm.	lbs.	kgs.
R(*)-20-R-404A	20	600	11	5	15
R(*)-35-R-404A	35	1,050	17	8	20
R(*)-50-R-404A	50	1,500	24	11	20

\* RT prefix for Series 500, 600, 850, and 1000.  
 RL prefix for Series 1400 and 1800. Order separately.

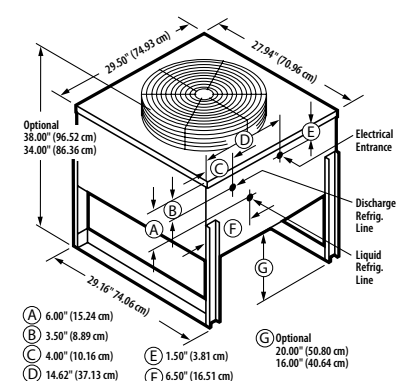
### Typical Installation



### JC-0495, JC-0895, Remote Condenser



### JC-1395 Remote Condenser



3219D ©2010 Manitowoc 1710 Continuing product improvement may necessitate change of specifications without notice.