



# Marine Model Ice Cube Machine

## Model

- |                                    |                                    |                                    |                                    |                                    |                                     |
|------------------------------------|------------------------------------|------------------------------------|------------------------------------|------------------------------------|-------------------------------------|
| <input type="checkbox"/> ID-0603WM | <input type="checkbox"/> ID-0853WM | <input type="checkbox"/> ID-1003WM | <input type="checkbox"/> SD-1403WM | <input type="checkbox"/> SD-1803WM | <input type="checkbox"/> SD-3303W3M |
| <input type="checkbox"/> IY-0605WM | <input type="checkbox"/> IY-0855WM | <input type="checkbox"/> IY-1005WM | <input type="checkbox"/> SY-1405WM | <input type="checkbox"/> SY-1805WM | <input type="checkbox"/> SY-3305W3M |



Series 850 Ice Machine  
MB-3044 Bin



Stainless Steel Bulkhead

- Stainless Steel
  - Top Cover
  - Cabinet Panels
  - Bulkhead
  - Frame
  - Brackets
  - Fasteners

## Marine Ice Machine Features

Six ice machine units available with Special Marine Specifications. Choose Series 600, 850, 1000, 1400, 1800 or 3300 water-cooled models. Ice production from 650 to 3380 pounds per day.

- Water-proof control box housing.
- Compressor ground wire.
- Rugged, corrosion-free base.
- Patented cleaning and sanitizing technology.
- R-404A CFC-free refrigerant.
- Cupra-nickel condenser adds protection from corrosive water elements.

## Warranty

- 5-year parts-and-labor on evaporator.
- 5-year parts and 3-year labor on compressor.
- 3-year parts-and-labor on all other components.



Ice scoop and chain



Bin leg



Bin cove corners

Marine Bins		
Model	Dimension	Storage Capacity
MB-3044	30" W x 34" D x 44" H	397 lbs.
MB-4844	48" W x 34" D x 44" H	672 lbs.

## Marine Ice Bin Features

- Outer cabinet – 18 ga 304 stainless.
- Inner cabinet – 18 ga 304 stainless.
- Radius (cove) corners in liner.
- Stainless steel flanged 6" legs.
- Stainless steel ice scoop on stainless cable.

## Warranty

- 1-year material and workmanship.

## Ice Shape



**Half Dice**  
 $\frac{3}{8}$ " x  $\frac{1}{8}$ " x  $\frac{7}{8}$ "  
 (.95 x 2.86 x 2.22 cm)

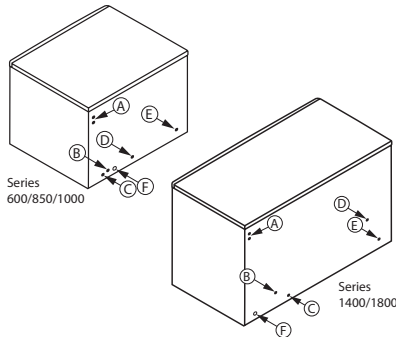


**Dice**  
 $\frac{7}{8}$ " x  $\frac{7}{8}$ " x  $\frac{7}{8}$ "  
 (2.22 x 2.22 x 2.22 cm)



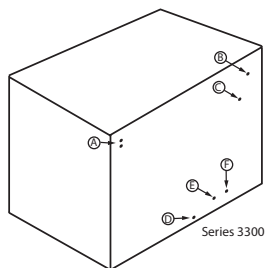


# Marine Model Ice Cube Machine



- (A) Electrical Entrance (2) Options
- (B) 3/8" (0,95 cm) F.P.T. Ice Making Water Inlet
- (C) 1/2" (1,27 cm) F.P.T. Ice Making Water Drain
- (D) 1/2" (1,27 cm) F.P.T. Water Condenser Outlet
- (E) 3/8" (0,95 cm) F.P.T. Water Condenser Inlet
- (F) 1/2" (1,27 cm) Auxiliary Base Drain Socket

Installation Note: Minimum 2-3/4" clearance at back.



- (A) Electrical Entrance (2) Options
- (B) Condenser Water Inlet 1.00" (2.54 cm) F.P.T. (water-cooled units)
- (C) Water Condenser Outlet 1.00" (2.54 cm) F.P.T.
- (D) Base Drain 1.00" (2.54 cm) F.P.T.
- (E) Ice Making Water Drain 1.00" (2.54 cm) F.P.T.
- (F) Ice Making Water Inlet 1/2" (1,27 cm) F.P.T.

Installation Note: Recommended installation clearance- Top/sides 8" (20.3 cm), back: 24" (61 cm), although 24" (61 cm) is recommended on all sides. Bin drain- located in exact center of bin.

### Series 600 to 1800 Operating Limits:

- Ambient Temperature Range: 35° to 110°F (1.67° to 43.3°C)
- Water Temperature Range: Potable Water: 35° to 90°F (1.67° to 32.3°C)
- Water Pressure Ice Maker Water In: Min. 20 psi (137.9 kPa), Max. 80 psi (551.1 kPa)
- Condenser Inlet Water In: Min. 20 psi (137.9 kPa), Max. 150 psi (1,034.2 kPa)

### Series 3300 Operating Limits

- Ambient Temperature Range: 35° to 110°F (1.67° to 43.3°C)
- Water Temperature Range: Potable Water: 35° to 110°F (1.67° to 43.3°C) Condenser: 35° to 90°F (1.67° to 32.2°C)
- Water Pressure Ice Maker Water In: Min. 20 psi (137.9 kPa), Max. 80 psi (551.1 kPa)
- Condenser Inlet Water In: Min. 20 psi (137.9 kPa), Max. 250 psi (1,034.2 kPa)

If water system is over 250 PSIG order the high pressure valve option.

Series 600	
Model	Cube Size
ID-0603WM	dice
IY-0605WM	half-dice
21.50" H x 30.00" W x 24.50" D	

Order ice storage bin separately.  
**Note: Placing i-600 ice machine on non-Manitowoc bin or "F" model Manitowoc bin, requires installation of ice deflector K-00347.**

Series 850	
Model	Cube Size
ID-0853WM	dice
IY-0855WM	half-dice
26.50" H x 30.00" W x 24.50" D	

Order ice storage bin separately. To order 3 phase add "3" suffix to model # (ID-0853WM3).  
**Note: Placing i-850 ice machine on non-Manitowoc bin or "F" model Manitowoc bin, requires installation of ice deflector K-00347.**

Series 1000	
Model	Cube Size
ID-1003WM	dice
IY-1005WM	half-dice
29.50" H x 30.00" W x 24.50" D	

Order ice storage bin separately. To order 3 phase add "3" suffix to model # (ID-1003WM3).  
**Note: Placing i-1000 ice machine on non-Manitowoc bin or "F" model Manitowoc bin, requires installation of ice deflector K-00347.**

Series 1400	
Model	Cube Size
SD-1403WM	dice
SY-1405WM	half-dice
26.50" H x 48.00" W x 24.50" D	

Order ice storage bin separately. To order 3 phase add "3" suffix to model # (SR-1301WM3).  
**Note: Placing S-1400 ice machine on non-Manitowoc bin or "F" model Manitowoc bin, requires installation of ice deflector K-00349.**

Series 1800	
Model	Cube Size
SD-1803WM	dice
SY-1805WM	half-dice
29.50" H x 48.00" W x 24.50" D	

Order ice storage bin separately. To order 3 phase add "3" suffix to model # (SR-1801WM3).  
**Note: Placing S-1800 ice machine on non-Manitowoc bin or "F" model Manitowoc bin, requires installation of ice deflector K-00349.**

Series 3300	
Model	Cube Size
SD-3303W3M	dice
SY-3305W3M	half-dice
36.00" H x 48.00" W x 31.00" D	

Order ice storage bin separately.  
**Note: Placing S-3300 ice machine on non-Manitowoc bin or "F" model Manitowoc bin, requires installation of ice deflector K-00391.**

Electric: 208-230/60/1 standard.

Min. circuit ampacity: 9.7

Max. fuse size: 15 amps

BTU Per Hour:

9,000 (average) 13,900 (peak)

Electric: 208-230/60/1 standard.

(208-230/60/3 also available.)

Min. circuit ampacity: Max. fuse size:

10.9 - 1ph, 8.2 - 3ph      20 amps - 1ph  
 15 amps - 3ph

BTU Per Hour:

13,000 (average) 16,000 (peak)

Electric: 208-230/60/1 standard.

(208-230/60/3 and 460/60/3 also available.)

Min. circuit ampacity: Max. fuse size:

16.3 - 1ph, 9.6 - 3ph      30 amps - 1ph  
 15 amps - 3ph

BTU Per Hour:

17,700 (average) 21,000 (peak)

Electric: 208-230/60/1 standard.

(208-230/60/3 and 460/60/3 also available.)

Min. circuit ampacity: Max. fuse size:

16.9 - 1ph, 11.8 - 3ph      30 amps - 1ph  
 20 amps - 3ph

BTU Per Hour:

23,500 (average) 27,000 (peak)

Electric: 208-230/60/1 standard.

(208-230/60/3 and 460/60/3 also available.)

Min. circuit ampacity: Max. fuse size:

22.4 - 1ph, 14.0 - 3ph      40 amps - 1ph  
 25 amps - 3ph

BTU Per Hour:

30,000 (average) 35,000 (peak)

Electric: 460/60/3 standard.

Min. circuit ampacity: Max. fuse size:

30 amps      30 amps

BTU Per Hour:

45,000 (average) 51,000 (peak)