

# Indigo™ Series 1800 Ice Cube Machine

Model:  IR-1800A     ID-1802A     IR-1890N     ID-1803W  
 IY-1804A     IY-1805W     IY-1894N     ID-1892N



Indigo Series i-1800  
Ice Machine on B-970 Bin

Designed for operators who know that ice is critical to their business, the Indigo™ Series ice machine's preventative diagnostics continually monitor itself for reliable ice production. Improvements in cleanability and programmability make your ice machine easy to own and less expensive to operate.

- **Space-Saving Design** – Up to 1,860 lbs. (845 kgs.) daily ice production and only 48" (121.92 cm) wide.
- **Intelligent Diagnostics** – provide 24 hour preventative maintenance and diagnostic feedback for trouble free operation.
- **Acoustical Ice Sensing Probe** – for reliable operation in challenging water conditions.
- **EasyRead Display** – communicates operating status, cleaning reminders, and asset information through a blue illuminated display.
- **Programmable Ice Production** – by On/Off Time, Ice Volume or Bin Level (with accessory bin level control) further improves energy efficiency and savings.
- **Easy to Clean Foodzone** – Hinged front door swings out for easy access. Removable water-trough, distribution tube, curtain, and sensing probes for fast and efficient cleaning. Select components made with AlphaSan® antimicrobial.
- **DuraTech™ Exterior** – provides superior corrosion resistance. Stainless finish with innovative clear-coat resists fingerprints and dirt.
- Available **LuminIce™ Growth Inhibitor** controls the growth of bacteria and yeast within the foodzone.

## Ice Machine Electric

208-230/60/1 standard  
(208-230/60/3 and 230/50/1 also available.)

### Minimum circuit ampacity:

Air-cooled:	23.8 1ph	15.4 3ph
Water-cooled:	22.4 1ph	14.0 3ph
Remote-cooled:	23.4 1ph	15.0 3ph

### Maximum fuse size:

Air-cooled:	40 1ph	25 3ph
Water-cooled:	40 1ph	25 3ph
Remote-cooled:	40 1ph	25 3ph

## Specifications

**BTU Per Hour:**  
30,000 (average),  
and 35,000 (peak)

**Refrigerant:**  
R-404A CFC-free

### Operating Limits:

- Ambient Temperature Range:  
35° to 110°F (1.7° to 43.3°C)  
Water Temperature Range:  
35° to 90°F (1.7° to 32.2°C)
- Water Pressure Ice Maker  
Water In:  
Min. 20 psi (137.9 kPa)  
Max. 80 psi (551.1 kPa)



## Ice Shape

**Half Dice**  
3/8" x 1 1/8" x 7/8"  
(.95 x 2.86 x 2.22 cm)

**Dice**  
7/8" x 7/8" x 7/8"  
(2.22 x 2.22 x 2.22 cm)

**Regular**  
1 1/8" x 1 1/8" x 7/8"  
(2.86 x 2.86 x 2.22 cm)





# Indigo™ Series 1800 Ice Cube Machine

## i-1800 on B-970 Storage Bin

- Ⓐ Electrical Entrance (2) Options
- Ⓑ 1/2" (1.27 cm) F.P.T. Water Condenser Outlet (water-cooled units)
- Ⓒ 3/8" (0.95 cm) F.P.T. Water Condenser Inlet (water-cooled units)
- Ⓓ 3/8" (0.95 cm) F.P.T. Ice Making Water Inlet
- Ⓔ 1/2" (1.27 cm) F.P.T. Ice Making Water Drain
- Ⓕ 1/2" (1.27 cm) Auxillary Base Drain Socket
- Ⓖ 3/4" (1.91 cm) Bin Drain
- ↺ Air flow for air-cooled models

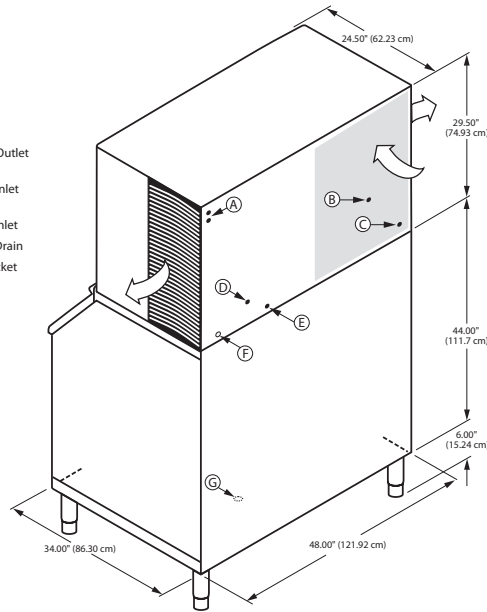
### Installation Note

*Air Cooled clearance:*

- Top: 24" (61.0 cm)
- Sides: 24" (61.0 cm)
- Back: 5" (30.5 cm)

*Water Cooled clearance:*

- Top/Sides: 8" (20.3 cm)
- Back: 5" (12.7 cm)



## Space-Saving Design



**i-1800  
B-970**

Height	79.50"
	201.90 cm
Width	48.00"
	121.92 cm
Depth	34.00"
	86.30 cm
Bin Storage	710 lbs. 322.2 kgs.

*Height includes adjustable bin legs 6.00" to 8.00", (15.24 to 20.32 cm) set at 6.00" (15.24 cm).*

## Specifications

Model	Ice Shape	Ice Production 24 Hours		Power Usage kWh/100 lbs. @90°Air/70°F 1 Ph	Potable Water Usage/100 lbs. 45.4 kgs. of Ice
		70°Air/ 50°F Water	90°Air/ 70°F Water		
<b>AIR-COOLED</b> IR-1800A	regular	1,790 lbs.	1,430 lbs.	5.07	22.3 Gal. 84.4 L
		814 kgs	650 kgs		
	ID-1802A	1,840 lbs. 836 kgs	1,430 lbs. 650 kgs	5.16	22.3 Gal. 84.4 L
IY-1804A	half-dice	1,860 lbs. 845 kgs	1,455 lbs. 661 kgs	5.27	22.3 Gal. 84.4 L
<b>WATER-COOLED</b> ID-1803W	dice	1,850 lbs.	1,640 lbs.	3.93	22.3 Gal. 84.4 L
		841 kgs	744 kgs		
	IY-1805W	half-dice	1,790 lbs. 814 kgs	1,650 lbs. 750 kgs	3.92
* Water-cooled Condenser Water Usage / 100 lbs. /45.4 kgs. Of Ice: 181 gal. / 685 L. * Water-cooled models are excluded from ENERGY STAR qualification.					
<b>REMOTE-COOLED</b> IR-1890N	regular	1,690 lbs.	1,420 lbs.	4.99	22.3 Gal. 84.4 L
		768 kgs	645 kgs		
	ID-1892N	1,775 lbs. 807 kgs	1,495 lbs. 680 kgs	4.96	22.3 Gal. 84.4 L
IY-1894N	half-dice	1,810 lbs. 823 kgs	1,445 lbs. 657 kgs	5.06	22.3 Gal. 84.4 L

*Order ice storage bin separately. To order 3 phase add "3" suffix to model # (ID-1202A3).*

## Accessories

**LuminIce™ Growth Inhibitor**  
reduces yeast and bacteria growth for a cleaner ice machine.



**Bin Level Control**  
Allows ice bin level to be automatically set. Built-in LED light illuminates bin.



**Arctic Pure® Water Filters**  
Reduces sediment and chlorine odors for better tasting ice.



**AuCS®**  
schedules and performs routine ice machine cleaning automatically.

