



QuietQube® S-3070C Remote Ice Cube Machine

Air-cooled Ice Cube Machine with Patented CVD Technology®

Model

- SD-3072C SY-3074C



S-3070C Ice Machine - 115V



CVD Condensing Unit - 208-230/60/3

Standard Features

- **Quadzilla™ Evaporator System**– places four high-output individual evaporators in a compact 48" (121.92 cm) wide ice maker for up to 2,910 lbs. (1,320 kgs.) daily ice production.
- Up to CEE Tier 3 energy and water efficiency rating.
- Quiet operation. Remotely located compressor eliminates most noise from the refrigeration system. Promotes relaxing atmosphere.
- Patented CVD® technology improves reliability and extends life of the compressor.
- Stainless steel tubular frame construction - for added strength and durability.
- Stainless steel exterior for superior corrosion resistance and durability.
- Not to be used in stacking configurations.

Warranty

- 5-year parts and 5-year labor coverage on ice machine evaporator.
- 5-year parts and 3-year labor coverage on ice machine compressor.
- 3-year parts-and-labor coverage on all other ice machine, dispenser, and storage bin components.

Specifications

Operating Limits:

- Ambient Temperature Range: 35° to 110°F (1.6° to 43.4°C)
- Water Temperature Range: 35° to 90°F (0.6° to 32.2°C)
- Water Pressure Ice Maker Water In:
Min. 20 psi (137.9 kPa)
Max. 80 psi (551.1 kPa)

BTU Per Hour:

40,000 (average)
46,000 (peak)

Compressor:

Nominal rating: 4.5 HP

Ice Machine Electric

115/60/1 standard. 230/50/1 also available.

Minimum circuit ampacity: 2.0

Maximum fuse size: 15 amps

HACR-type circuit breakers can be used in place of fuses.

Ice Shape



Half Dice
3/8" x 1 1/8" x 7/8"
(.95 x 2.86 x 2.22 cm)



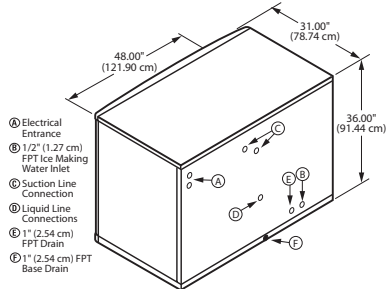
Dice
7/8" x 7/8" x 7/8"
(2.22 x 2.22 x 2.22 cm)



QUALITY MANAGEMENT SYSTEM
CERTIFIED BY DNV
ISO 9001:2008



S-3070C Ice Machine



Shipping Weight: 423 lbs. / 192 kgs.

Installation Note: Recommended installation clearance— Top/sides 8" (20.3 cm), back: 24" (61 cm), although 24" (61 cm) is recommended on all sides. Bin drain— located in exact center of bin.

Accessories

K-00391 Ice Deflectors (Set of 2)

K-00395 Bin Thermostat

NOTE: S-3070 not for use on B-970 Bin.

Space-Saving Designs



S-3070C F-1300

S-3070C F-1325

Height	99.50" 252.73 cm	90.50" 229.87 cm
Width	48.00" 121.92 cm	60.00" 152.40 cm
Depth	31.00" 78.74 cm	31.00" 78.74 cm
Bin Storage	1,320 lbs. 599 kgs.	1,325 lbs. 601 kgs.

Height includes adjustable bin legs 6.00" to 8.00", (15.24 to 20.32 cm) set at 6.00" (15.24 cm).

*Depth at bin base, 39" including bin door.

Standard Interconnecting Tubing

Model	Line Length		Weight	
	ft.	m.	lbs.	kgs.
RC-24	20	6.1	37	17
RC-34	30	9.2	47	21
RC-54	50	15.2	73	33

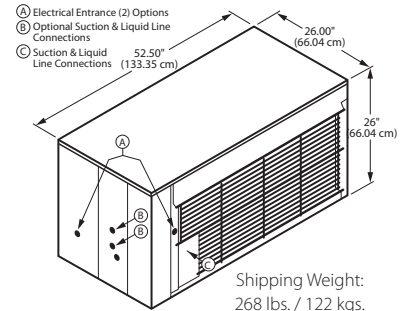
Remote Air-cooled Ice Machine

Model	Ice Shape	Ice Production 24 Hours		Power kWh/100 lbs. @ 90°Air/70°F		Water Usage/100 lbs. 45.4 kgs. of Ice		ENERGY STAR
		70°Air/50°F Water	90°Air/70°F Water	3 ph	CEE† Tier	Potable Water	CEE† Tier	
SD-3072C	dice	2,850 lbs.	2,350 lbs.	4.64	2	19.7 gal.	3	★
		1,293 kgs.	1,066 kgs.			75 L.		
SY-3074C	half-dice	2,910 lbs.	2,420 lbs.	4.51	3	19.7 gal.	3	★
		1,320 kgs.	1,098 kgs.			75 L.		

Order ice storage bin separately.

†Consortium for Energy Efficiency (CEE) is a North American nonprofit organization that promotes energy-efficient products, technologies and services; also the principal entity for the development of ice maker efficiency standards.

CVD-3085 Remote Condensing Unit



Shipping Weight: 268 lbs. / 122 kgs.

Condensing Unit Electric

208-230/60/3 standard.

380-415/50/3 also available.

HACR-type circuit breakers can be used in place of fuses.

Note: QuietQube ice machine is 115/60/1 and wired independent of CVD condensing unit.

Minimum circuit ampacity:

30 3ph

Maximum fuse size:

35 amps 3ph

HACR-type circuit breakers can be used in place of fuses.

Operating Limits:

- Ambient Temperature Range: -20° to 120°F (-29° to 49°C)

Installation Information and Dimensions:

Maximum Line Length

—100' (30.5 m).*

Maximum Vertical Rise*
—35' (10.7 m) above ice machine.

Maximum Vertical Drop
—15' (4.5 m) below ice machine.

*A rise over 20' (6 m) requires two S-Trap Kits K-00166 - ordered separately.

